

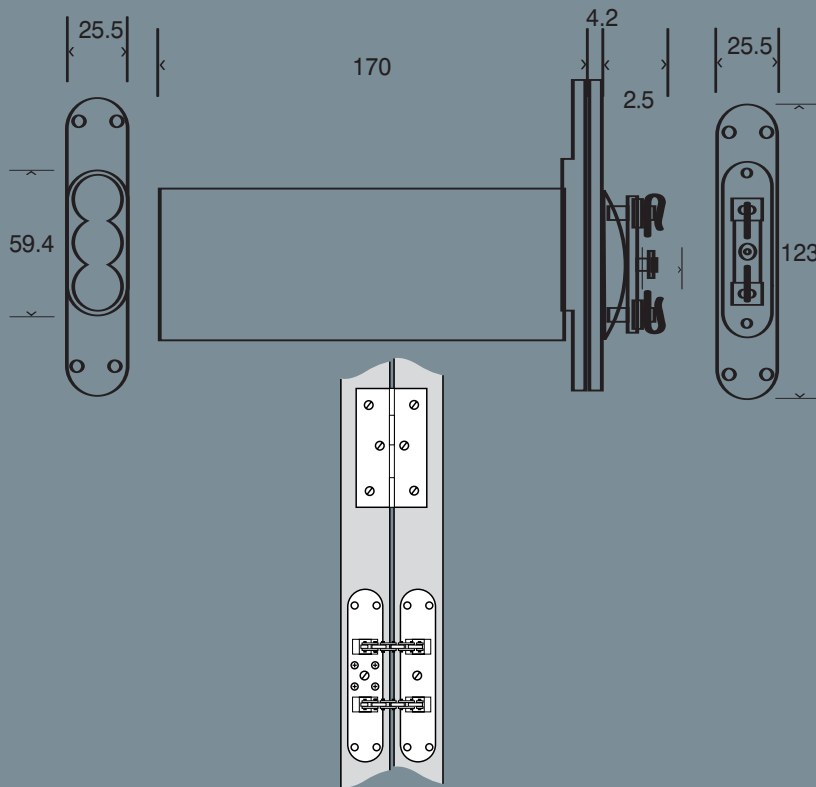
# Product Spec Sheet

**Name:** Barymatic Jamb Closer

**Code:** B1



## Dimensional Drawing:



## Specification

### Usage:

Residential application  
Fire door (Intumescent available)

### Material:

Steel, Brass

**Finishes:** Standard SCP

Plates Available PB SSS PSS BRZ

### Fixings:

Wood screws

## Note:

BS EN 1634-1:2000 30 & 60 mins  
Cover plates ordered seperately

## Declaration of Performance:

005CPR2013-07-01